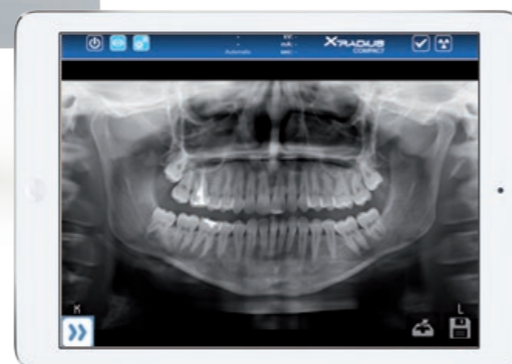


Image management across a unique platform

Thanks to an open platform, image management and data sharing is easy and highly practical. Imaging software covering intra-oral and extra-oral applications with an intuitive interface allows dentists to transfer data to third-party systems via DICOM protocols and other methods. Acquired images can also be transferred to compatible management software with a standard TWAIN protocol.



Remote control

Available both for WINDOWS and as iPad application, the virtual control panel enables remote control of the equipment and onscreen visualisation of the 2D images acquired.

Technical specifications

2D IMAGING

Type Adult and child panoramic*, QuickPAN, MultiPAN, Bitewing dentition*, PA and LL (right and left) maxillary sinuses, Temporomandibular Joint (2 x LL +2 x PA) open and closed mouth
Dimension PAN standard 15 cm x 28 cm
Image file size max 7.5 MB
Image resolution 5 to 7 lp/mm
Enlargement 1.2 - 13
Exposure time 3-12 s

3D IMAGING

Type Complete study of the 2 dental arches in a single scan for adult and child with reduced collimation, study of maxillary region with maxillary sinuses, localised study of region of interest.
FOV Dimension 10x10cm, 10x7cm, 10x6cm, 8x10cm, 8x7cm, 8x6cm, 6x7cm, 6x6cm
Image file size typical 720 MB
Voxel size 80 µm - 160 µm

ERGONOMICS

Patient Alignment 3 Laser Guides
Easy access for patients in wheelchair
Adjustments 2-speed height drive

X-RAY GENERATOR

Type of generator Constant potential (DC) - high frequency
Anode voltage 2D: 60 kV - 85 kV (step 1kV)
 3D/2D: 90 kV (pulsed mode)
Anodic current 4 mA - 15 mA
Focal spot 2D Version: 0.5 mm (IEC 60336)
 3D/2D Version: 0.6 mm (IEC 60336)
Inherent filtration 2D Version: > 2.5 mm Al eq. (a 85 kV)
 3D/2D Version: 6 mm Al eq. (a 90 kV)
Exposure control Automatic.
 MRT (Morphology Recognition Technology)
Maximum continuous anode input power 42W (1:20 at 85kV/10mA)

SENSOR TECHNOLOGY

2D version CMOS (CSI) - 14 bit (16383 grey levels)
3D/2D version Amorphous Silicon (CSI) - 16 bit (65535 grey levels)

POWER SUPPLY

Voltage/Frequency 240 - 115 Vac, ± 10% single phase I 50 / 60 Hz ± 2 Hz
Maximum current temporary peak absorption 12A at 240V - 20A at 115V
Current consumption in standby mode maximum 0.5 A (240V) - 1 A (115V)
Note Automatic voltage and frequency adaptation

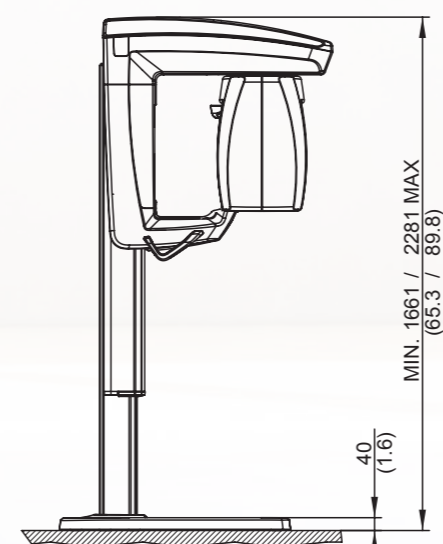
DIMENSIONS

Minimum available work space requirement 872 mm (L) x 1101 mm (D)
Packaging dimensions (L)x(P)x(H) in mm
 Supplied in 2 boxes: Box 1: 930x690x960
 Box 2: 1860x355x350
Weight 2D Version: 80 kg (185lb)
 3D/2D Version: 90 kg (199lb)
Adjustable height 2 speeds motorised
Note Self-supporting base available

CONNECTIVITY

Connections LAN / Ethernet
Software iRYS
Supported protocols DICOM 3.0, TWAIN, VDDS
DICOM nodes IHE certification (Print, Storage Commitment, WorkList MPPS, Query Retrieve)

*Vertical collimation on 3D/2D version only



dimensions in millimetres (dimensions in inches)

