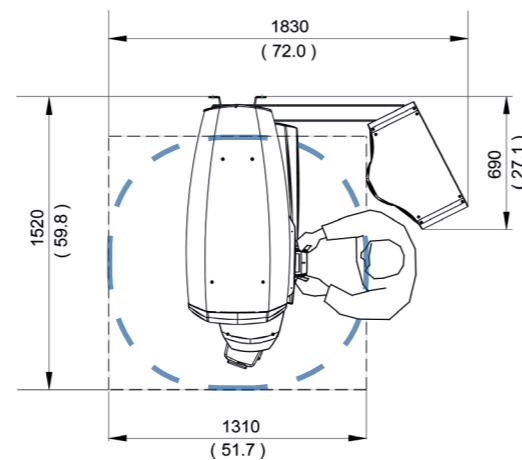
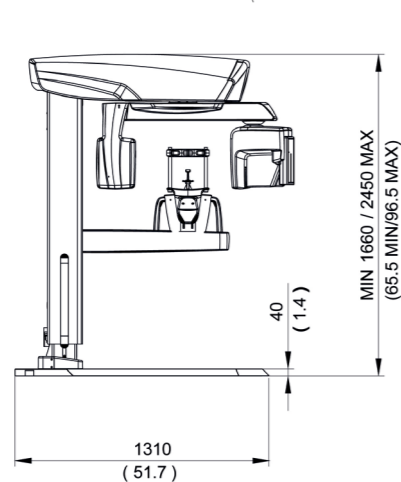


dimensions in millimetres (dimensions in inches)



Technical specifications

3D detector specs

- Detector technology: Amorphous Silicon (a-Si)
- X-ray conversion method: CsI (Cesium Iodide) Scintillator
- Image voxel size: 75µm
- Dynamic range: 16bit
- Gray shades: 65535
- Minimum slice thickness: 0.075mm
- Dataset format: iRYS proprietary and DICOM 3.0
- Large Detector
 - Field of view, Diameter x Height: 108x80mm
 - Available FOV sizes (DxH): 11x13 - 11x8 - 8x8 - 11x5 - 8x5 - 5x5cm
 - Image dataset, largest size: 720MB
- Small Detector
 - Field of view, Diameter x Height: 108x50mm
 - Available FOV sizes (DxH): 11x8 - 11x5 - 8x5 - 5x5cm
 - Image dataset, largest size: 450MB

2D detector specs

- Detector technology: CCD (Charge Coupled Device)
- X-ray conversion method: CsI (Cesium Iodide) Scintillator
- Protection from direct X-ray exposure: FOP (Fibre Optics Plate)
- Pixel size: 48µm
- Dynamic range: 14bit
- Gray shades: 16383
- Detector resolution: 10.4lp/mm
- Signal To Noise Ratio: minimum 74dB - typical 86dB
- Original file format: TIFF, 16bit
- Image resolution: more than 5lp/mm
- Pan
 - Detector height: 146mm
 - Image pixel matrix, max.: 1528x2797
 - Image file, largest size: 8MB
- Ceph
 - Detector height: 220mm
 - Image pixel matrix, max.: 2291x3125
 - Image file, largest size: 14MB

X-ray generator specs

- Generator type: Constant potential (DC)
- X-ray emission type: Pulsed, square shaped pulses
- Anode Voltage: 60 - 90kV
- Anode Current: 1 - 10mA
- Exposure time range: 160ms - 14s (R10 scale)
- Focal spot dimension, IEC 60336-1993: 0.5mm

- Exposure Control: Automatic
- Exposure Control Method: Morphology Recognition Technology
- Compensation of Spine absorption: Automatic
- mA and kV pattern modulated in real time during X-ray exposure
- Anode Current and Voltage are automatic or manually selectable in steps of 1, in the whole kV range
- Duty cycle at full power operation (85kV, 10mA): 1:20
- Inherent filtration at 85kV (mm eq. Al): 3.2

X-ray exposure

- Embedded X-ray shielding behind receptor, conforming to IEC60601-1-3
- X-ray exposure time
 - CB3D, High Resolution: 3.6s
 - CB3D, Peak Resolution: 9.0s
 - Adult HD Panoramic: 13s
 - Child Dentition: 7.5s
 - Child Ceph Lateral: 3.4s
- Minimum scan time for CB3D: 18s
- Minimum render time for CB3D dataset: 15s
- Typical effective dose (ICRP 103)
 - CB3D 11x8, High Resolution: 33.5µSv
 - CB3D 11x8, Peak Resolution: 78.6µSv
 - Panoramic: 6.7µSv
 - Dentition only: 4.3µSv
 - Ceph Lateral, Reduced: 1.0µSv

Equipment dimensions

- Minimum required operation dimensions,
 - Width x Depth: 1310x1520mm
 - Including ceph (W x D): 1830x1520mm
- Motorised column, adjustable height: 1610-2400mm
- Packed dimensions,
 - Crate, no Ceph (H x W x D): 1515x1750x670mm
 - Ceph option, cardboard: 822x1430x580mm
- Weight, no Ceph: 170Kg - 375lbs
- Weight with teleradiographic arm: 190Kg - 419lbs
- Wall or floor support, free standing base available
- Accessible for patients on wheelchair

Power supply specification

- Automatic adaptation for voltage and frequency
- Voltage: 115 - 240 Vac, ± 10%
- Frequency: 50 / 60 Hz ± 2 Hz
- Current, nominal temporary peak absorption: 7A at 240V, 15A at 115V
- Maximum current absorption in standby mode: 1A